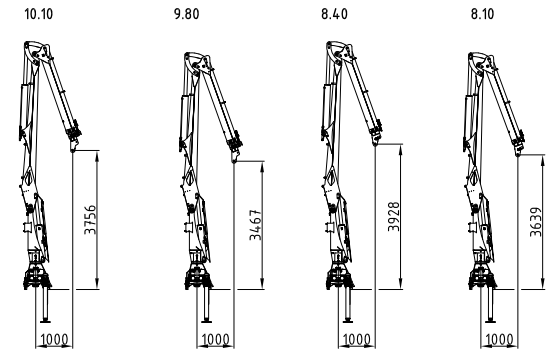
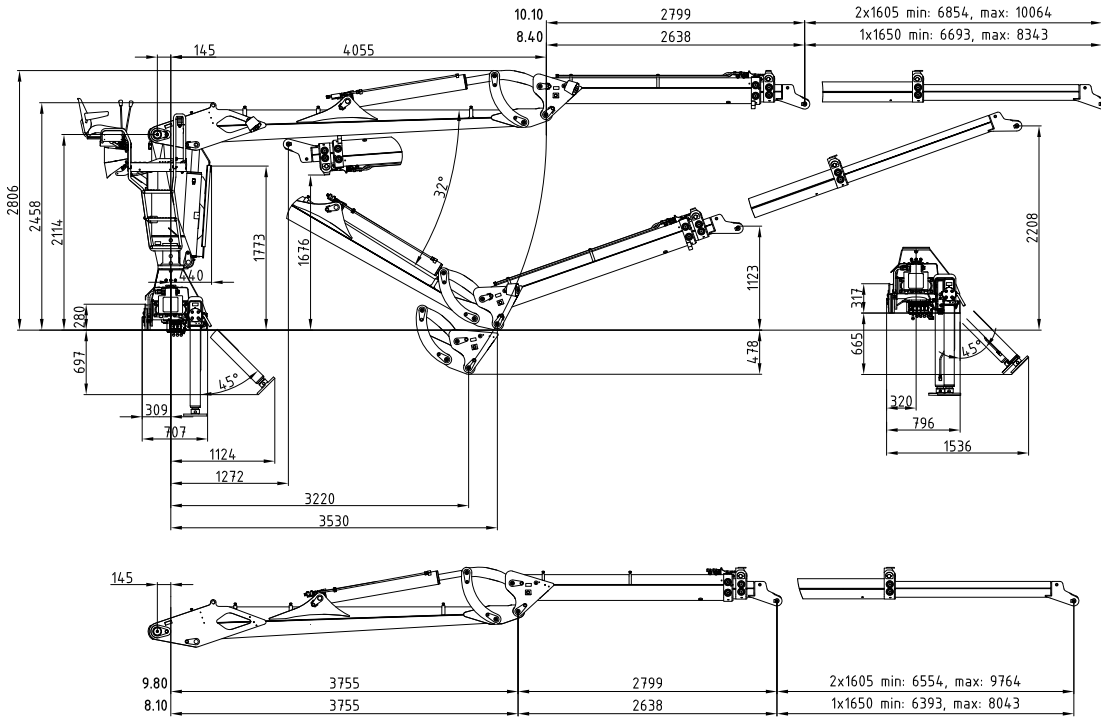


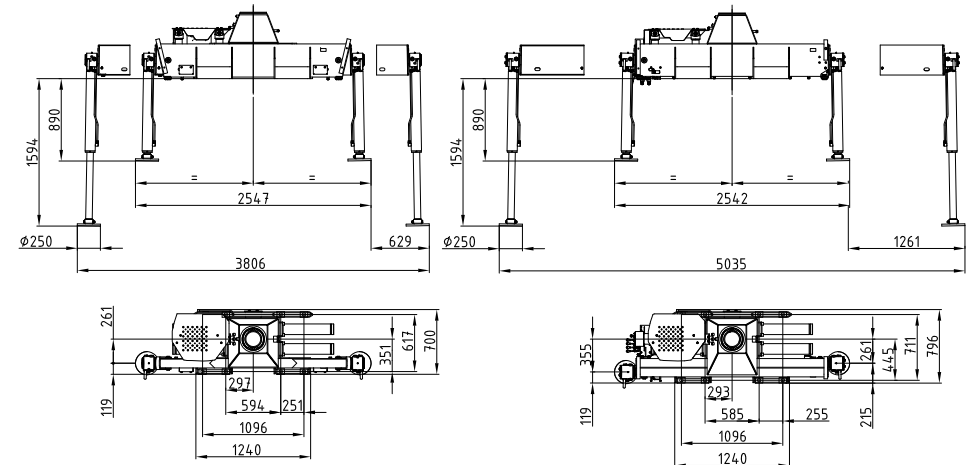
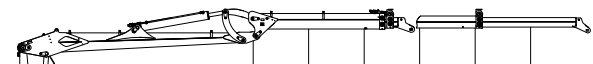
15 L 16 Lp+

132 - 151 kNm	8 - 10,1 m	3,5 - 3,9 m	3,8 - 5 m	2.205 - 2.490 kg	415°	25 kNm	260 - 300 bar	1x Minimum 80 l/min ~ 40 kW	2x Minimum 65 l/min ~ 66 kW	LS Minimum 170 l/min ~ 76 kW



Socket schmal
Crane base small

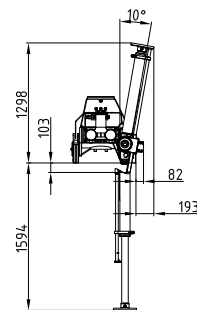
Socket breit
Crane base wide

15L 10.10	3250	2675	2225	1900	1640	1435	[kg]
16Lp+10.10	3600	2960	2460	2100	1810	1585	[kg]
15L 9.80	3260	2685	2230	1910	1650	1440	[kg]
16Lp+9.80	3610	2970	2465	2110	1820	1590	[kg]
15L 8.40	3330	2755	2300	1965	1705		[kg]
16Lp+8.40	3690	3050	2545	2170	1885		[kg]
15L 8.10	3345	2775	2315	1980			[kg]
16Lp+8.10	3710	3070	2560	2190			[kg]

4m 5m 6m 7m 8m 9m

170° Hochklappung
170° of lifting up



Rücksitz 01
Back seat 01

Rücksitz 04
Back seat 04

Seitensitz 04
Side seat 04

